

Application

The EBV-445 brick vent is used primarily in new construction and incorporates 1/8" (3) mortar ribs at the top and bottom. Brick vents provide a permanent means of gravity ventilation for crawl spaces, hung ceilings, incinerator rooms, chimney flues, foundations, pipe spaces, and corridors and are not intended to protect against driven rain conditions.

Standard Construction

Material: Mill finish 6063-T5 extruded aluminum.

Frame: 4" deep × 0.125" thick (102 × 3) with 1/8" (3) mortar ribs top and bottom (adds 1/4" to overall nominal height).

Blades: 45° × 0.125" (3) thick J-style.

Screen: 18 × 14 mesh aluminum insect screen.

Screen Frame: Removable.

Minimum Size: 4" × 2³/₈" (102 × 60)

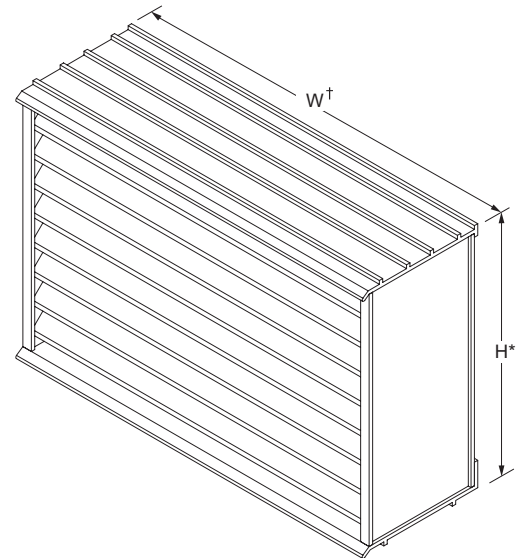
Maximum Size: 48" × 24" (1219 × 610)

Options

- Factory finish:
 - High Performance Fluoropolymer - 100% resin Newlar®/ 70% resin Kynar®
 - Baked Enamel
 - Clear or Color Anodized, Class 1
 - Prime Coat
- Exterior operated opposed blade damper.
 [H must be > 2³/₈" (60)]

Standard Sizes (W × H)

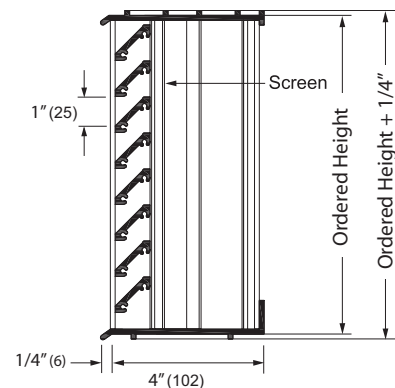
8 ¹ / ₈ " × 2 ³ / ₈ " (216 × 60)	16 ¹ / ₂ " × 2 ³ / ₈ " (419 × 60)
8 ¹ / ₈ " × 4 ³ / ₄ " (216 × 121)	16 ¹ / ₂ " × 4 ³ / ₄ " (419 × 121)
8 ¹ / ₈ " × 7 ³ / ₄ " (216 × 186)	16 ¹ / ₂ " × 7 ³ / ₄ " (419 × 186)
12" × 2 ³ / ₈ " (305 × 60)	16 ¹ / ₂ " × 15 ³ / ₄ " (419 × 400)
12" × 4 ³ / ₄ " (305 × 121)	24" × 2 ³ / ₈ " (610 × 60)
12" × 7 ³ / ₄ " (305 × 186)	24" × 4 ³ / ₄ " (610 × 121)
12" × 11 ³ / ₄ " (305 × 298)	24" × 7 ³ / ₄ " (610 × 186)
15 ⁵ / ₈ " × 7 ³ / ₄ " (397 × 186)	32" × 7 ³ / ₄ " (913 × 186)
15 ⁵ / ₈ " × 15 ³ / ₄ " (397 × 400)	48" × 7 ³ / ₄ " (1219 × 186)



Model **EBV-445**
(standard)

*Top and bottom mortar ribs add a combined 1/4" (6) to the nominal height.

†Fastener heads add a combined 1/4" (6) to the nominal width.



Vertical Section
(standard)